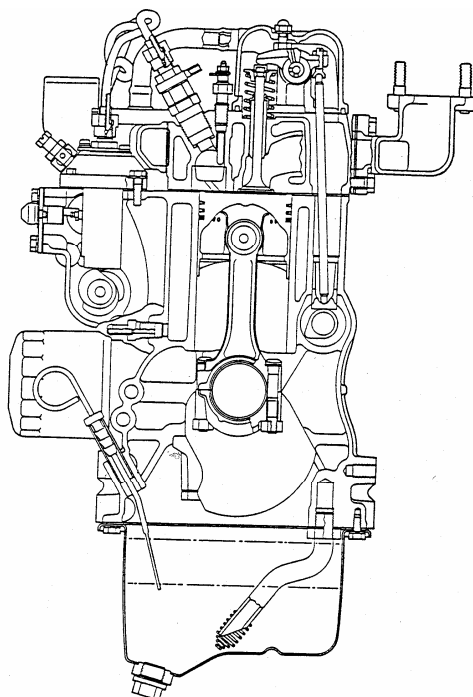
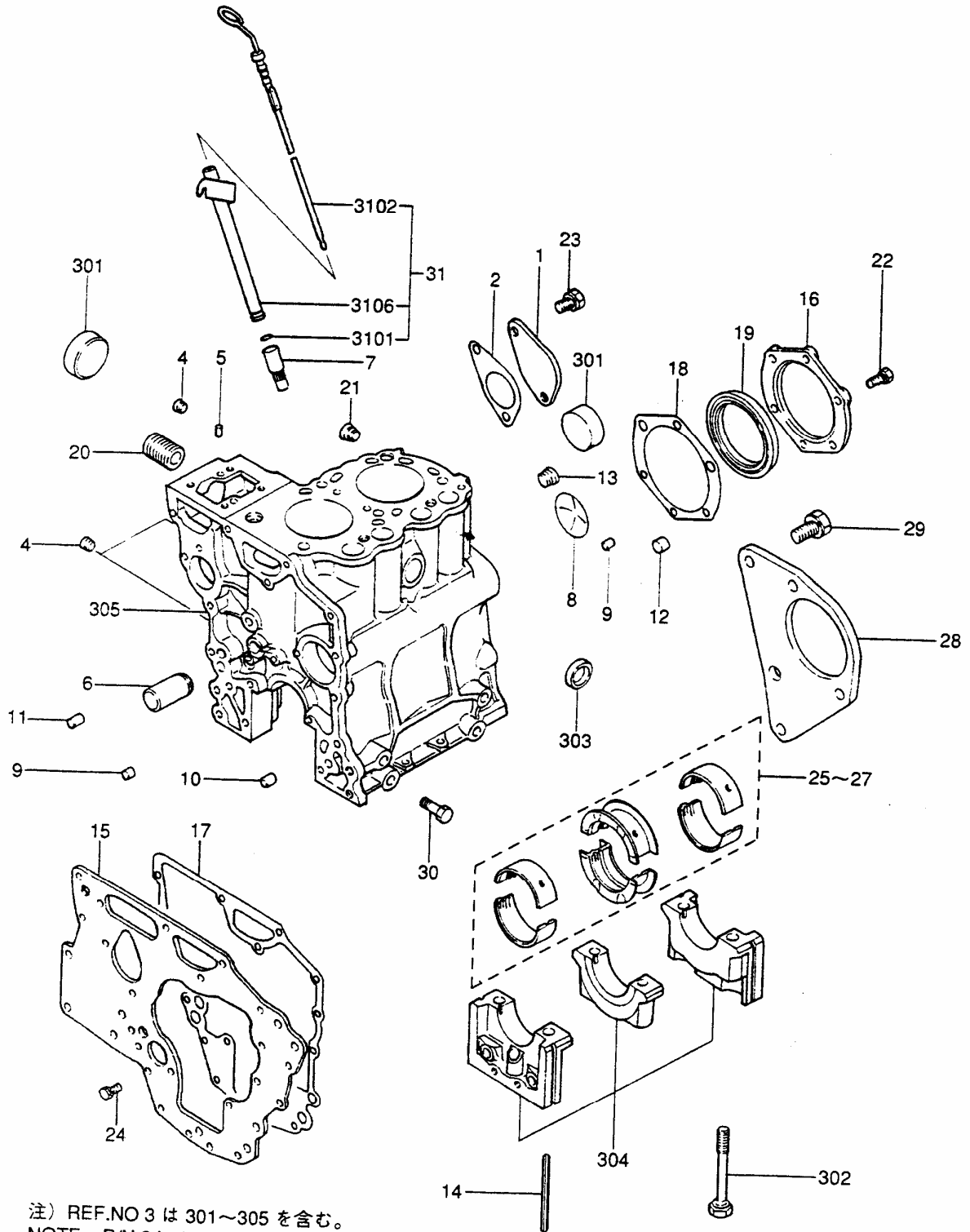


| TAVOLA | DESCRIZIONE | PAGINA |
|---------------|---|---------------|
| 01-01 | MONOBLOCCO | 39-40 |
| 01-02 | CARTE INGRANAGGI E SOTTOCOPPA | 41-42 |
| 01-03 | TESTATA MOTORE | 43-44 |
| 01-04 | ALBERO MOTORE – PISTONI E BIELLE – VOLANO | 45-46 |
| 01-05 | DISTRIBUZIONE | 47-48 |
| 02-01 | INIEZIONE | 49-50 |
| 02-02 | POMPA INIEZIONE | 51-52 |
| 02-03 | INIETTORE | 53-54 |
| 03-01 | REGOLATORE | 55-56 |
| 04-01 | PARTICOLARI IMPIANTO LUBRIFICAZIONE | 57-58 |
| 05-01 | PARTICOLARI IMPIANTO RAFFREDDAMENTO | 59-60 |
| 06-01 | ASPIRAZIONE E SCARICO | 61-62 |
| 07-01 | PARTICOLARI ELETTRICI | 63-64 |
| 07-02 | MOTORINO AVVIAMENTO | 65-66 |
| 07-03 | ALTERNATORE | 67-68 |
| 09-01 | GUARNIZIONI | 69-70 |



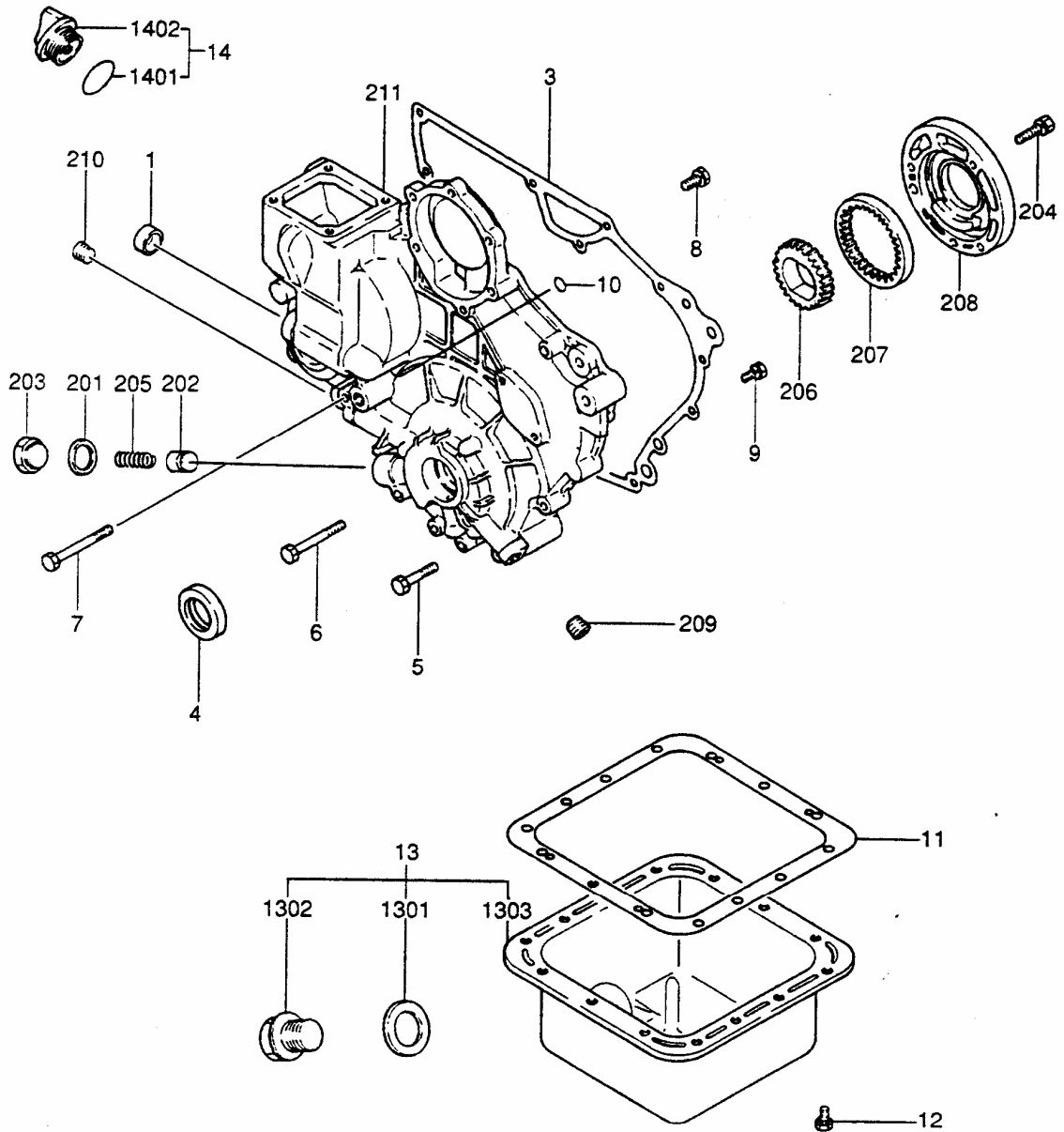


注) REF.NO 3 は 301~305 を含む。
NOTE: R/N 3 includes 301 to 305.

615CA0-00

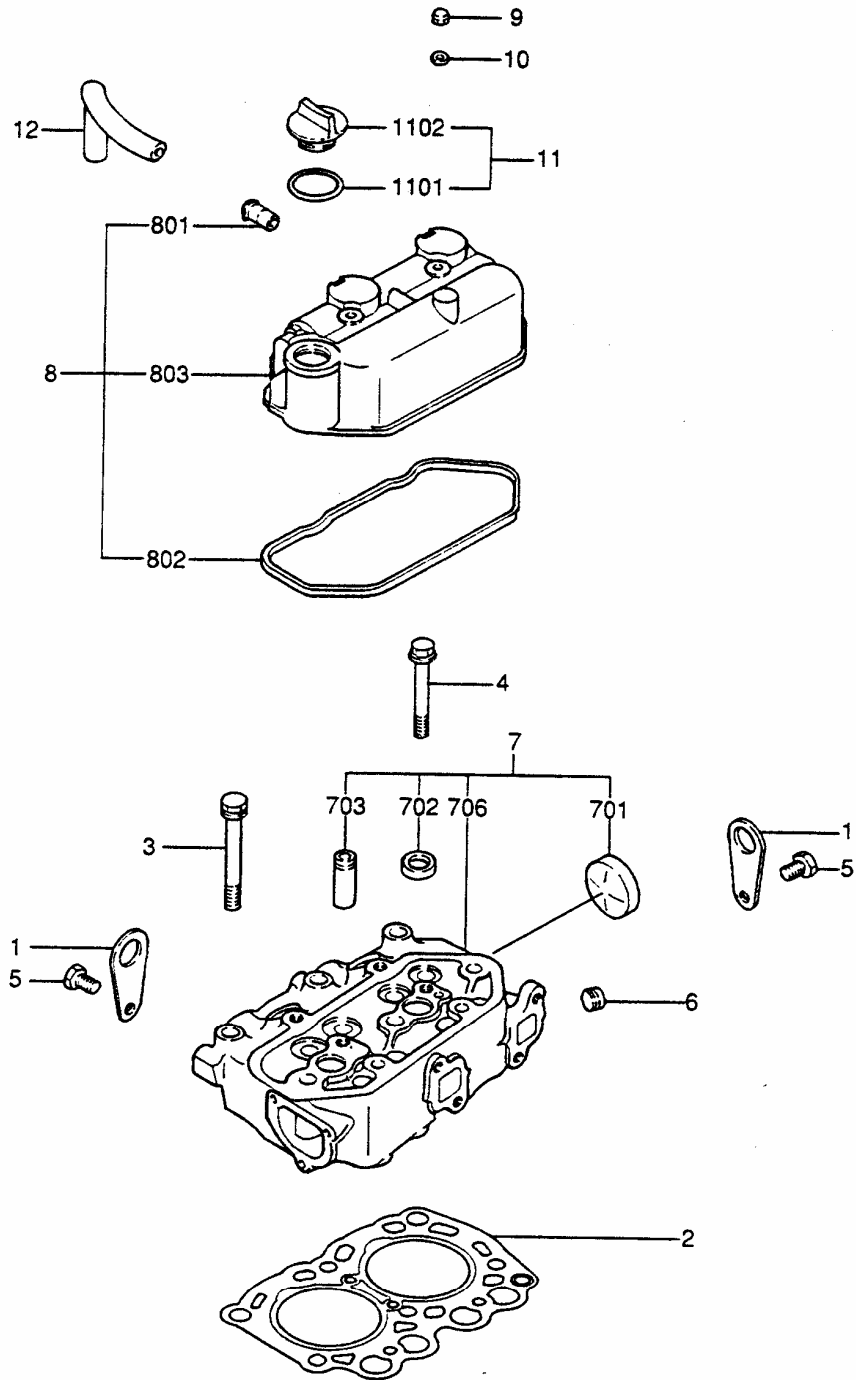
01045-016

| 見出 番号 REF. No. | 部品番号 PART NO. | 部品名称 および PART NAME & | 記事・仕様記号 DESCRIPTION | 形式 個数 | MODEL&QTY | | 適用号機 | | 適用 機種 M/R R/D |
|-------------------------|------------------|-------------------------|------------------------|----------|-----------|--|--------------------------|--------------|------------------------|
| | | | | 61CV | | | APPLICABLE SERIAL NO. | FROM@- @UPTO | |
| 1 | MM432677 | COVER | | 1 | | | | | |
| 2 | MM432-67801 | GASKET | | 1 | | | | | |
| 3 | MM432-65203 | BLOCK SUB ASSY,CYL | | 1 | | | | | A |
| 301 | MD000427 | CAP, SEALING | | 2 | | | | | |
| 302 | MD016230 | BOLT, BEARING CAP | | 6 | | | | | |
| 303 | MF665538 | CAP, SEALING (25) | | 1 | | | | | |
| 304 | * | CAP ASSY | | 1 | | | | | |
| 305 | * | BLOCK, CYLINDER | | 1 | | | | | |
| 4 | 30L07-01800 | PLUG, TAPER | | 3 | | | | | |
| 5 | MM409645 | PIN, DOWEL | | 2 | | | | | A |
| 6 | 30L07-00600 | SHAFT, IDLER | | 1 | | | | | |
| 7 | MM434729 | RETAINER, OIL LEVEL | | 1 | | | | | |
| 8 | MF665510 | PLUG, EXPANSION | | 1 | | | | | A |
| 9 | MS471101 | BUSHING, KNOCK | | 2 | | | | | |
| 10 | MS471102 | BUSHING, KNOCK | | 1 | | | | | |
| 11 | MS471105 | BUSHING, KNOCK | | 2 | | | | | |
| 12 | MS471107 | BUSHING, KNOCK | | 3 | | | | | |
| 13 | MS661141 | PLUG, TAPER | | 1 | | | | | A |
| 14 | MM432214 | SEAL, SIDE | | 4 | | | | | |
| 15 | MM433363 | PLATE, FRONT | | 1 | | | | | |
| 16 | MM432065 | CASE, OIL SEAL | | 1 | | | | | |
| 17 | MM433-11403 | GASKET, FRONT PLATE | | 1 | | | | | |
| 18 | MM432-21801 | GASKET, OIL SEAL CASE | | 1 | | | | | |
| 19 | MD016317 | SEAL, OIL | | 1 | | | | | A |
| 20 | 30L07-00700 | SHAFT, OIL FILTER | | 1 | | | | | |
| 21 | MD000269 | PLUG, TAPER | | 1 | | | | | A |
| 22 | MF101228 | BOLT | | 6 | | | | | A |
| 23 | MF240051 | BOLT, W/WASHER | B/W | 2 | | | | | A |
| 24 | MF241224 | BOLT, W/WASHER | B/W | 7 | | | | | A |
| 25 | MM438796 | BEARING SET | STD | 1 | | | | | A |
| 26 | MM438797 | BEARING SET | U.S 0.25 | 1 | | | | | A |
| 27 | MM438798 | BEARING SET | U.S 0.50 | 1 | | | | | A |
| 28 | MM433404 | BRACKET, STARTER | | 1 | | | | | |
| 29 | MF241282 | BOLT, W/WASHER | B/W | 3 | | | | | A |
| 30 | MF100083 | BOLT | | 4 | | | | | A |
| 31 | 30L42-00050 | GUIDE & GAGE ASSY | | 1 | | | | | |
| 3101 | MF520004 | O-RING | | 1 | | | | | A |
| 3102 | MM437813 | GAGE, OIL LEVEL | | 1 | | | | | |
| 3106 | 30L42-01200 | GUIDE, OIL LEVEL GAGE | | 1 | | | | | |



注) REF.NO. 2 は 201~211 を含む。
 NOTE: R/N 2 includes 201 to 211.

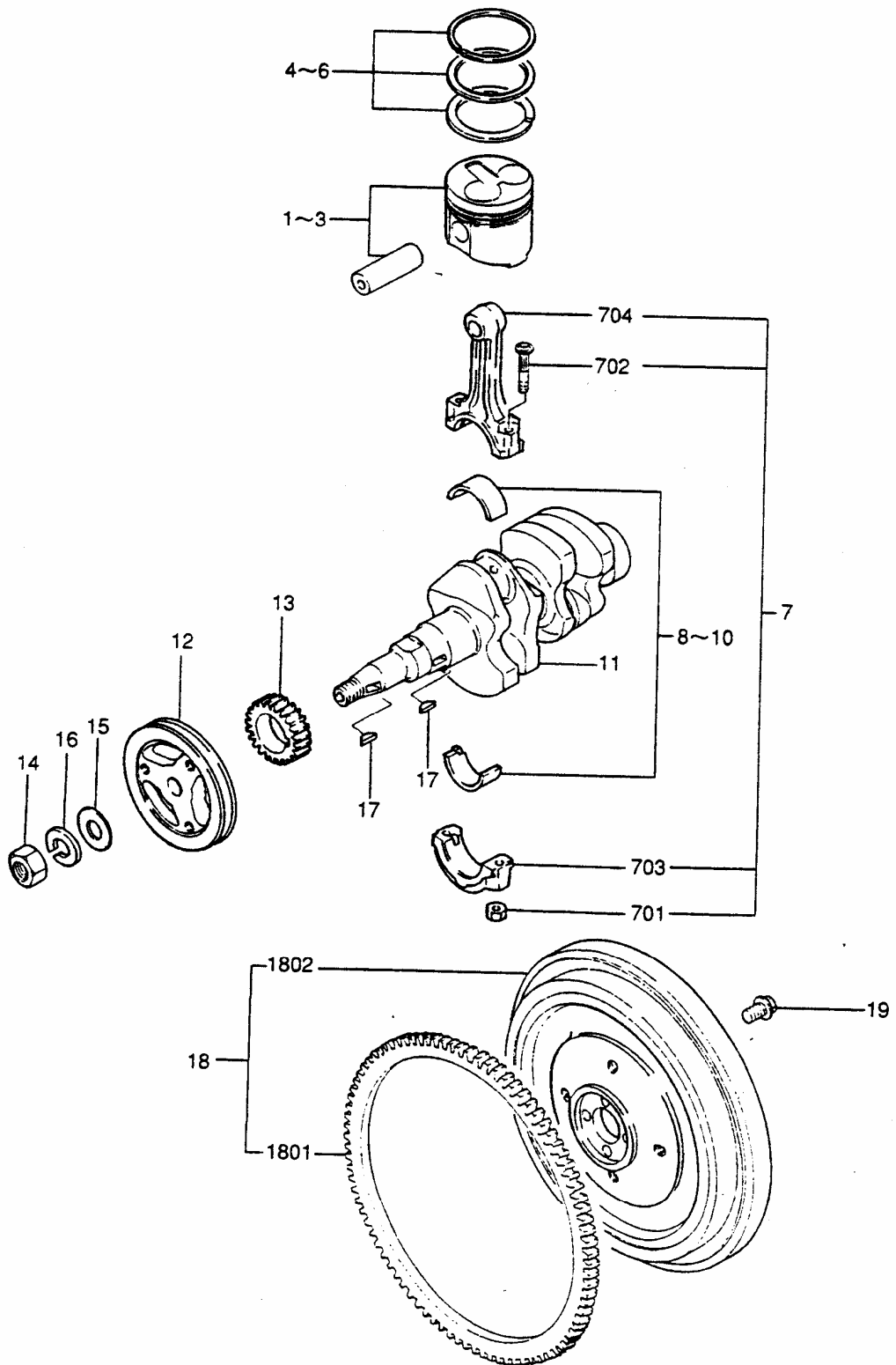
| 見出 番号 REF. LNO. | 部品番号 PART NO. | 部品名称 および 記事・仕様記号 PART NAME & DESCRIPTION | 形式 個数 | MODEL&QTY | | 適用号機 | | 適用 機 M/R RID |
|--------------------------|------------------|---|----------|-----------|--|---|--|-----------------------|
| | | | 61CV | | | APPLICABLE SERIAL NO. FROM@- -@UPTO | | |
| 1 | MM432235 | CAP, SEALING | 1 | | | | | |
| 2 | 30L11-00040 | CASE ASSY, GEAR | 1 | | | | | |
| 201 | MD000312 | GASKET, OIL DRAIN | 1 | | | | | A |
| 202 | MD001402 | PLUNGER, RELIEF | 1 | | | | | |
| 203 | MD001404 | PLUG, DRAIN | 1 | | | | | A |
| 204 | MF241231 | BOLT, W/WASHER B/W | 3 | | | | | A |
| 205 | MM433353 | SPRING, RELIEF | 1 | | | | | A |
| 206 | MM433793 | GEAR, OIL PUMP INNER | 1 | | | | | |
| 207 | MM433794 | GEAR, OIL PUMP OUTER | 1 | | | | | |
| 208 | MM434466 | HOUSING, OIL PUMP | 1 | | | | | |
| 209 | MS661121 | PLUG, TAPER | 1 | | | | | A |
| 210 | MS661140 | PLUG, TAPER | 1 | | | | | A |
| 211 | 30L11-00020 | CASE SUB ASSY, GEAR | 1 | | | | | |
| 3 | MM433-20101 | GASKET, GEAR CASE | 1 | | | | | |
| 4 | MD008883 | SEAL, OIL | 1 | | | | | A |
| 5 | MF101235 | BOLT | 3 | | | | | A |
| 6 | MF101240 | BOLT | 4 | | | | | A |
| 7 | MF101242 | BOLT | 1 | | | | | A |
| 8 | MF240051 | BOLT, W/WASHER B/W | 3 | | | | | A |
| 9 | MF241224 | BOLT, W/WASHER B/W | 4 | | | | | A |
| 10 | MF520007 | O-RING | 2 | | | | | A |
| 11 | MM433-36802 | GASKET, OIL PAN | 1 | | | | | |
| 12 | MF241223 | BOLT, W/WASHER B/W | 14 | | | | | A |
| 13 | 30L13-01050 | PAN ASSY, OIL | 1 | | | | | |
| 1301 | MD000312 | GASKET, OIL DRAIN | 1 | | | | | A |
| 1302 | MDC00318 | PLUG | 1 | | | | | A |
| 1303 | * | PAN SUB ASSY, OIL | 1 | | | | | |
| 14 | MM300540 | CAP ASSY, OIL FILLER | 1 | | | | | |
| 1401 | MF520402 | O-RING | 1 | | | | | A |
| 1402 | * | CAP, OIL FILLER | 1 | | | | | |



615CA0-00

01015-012

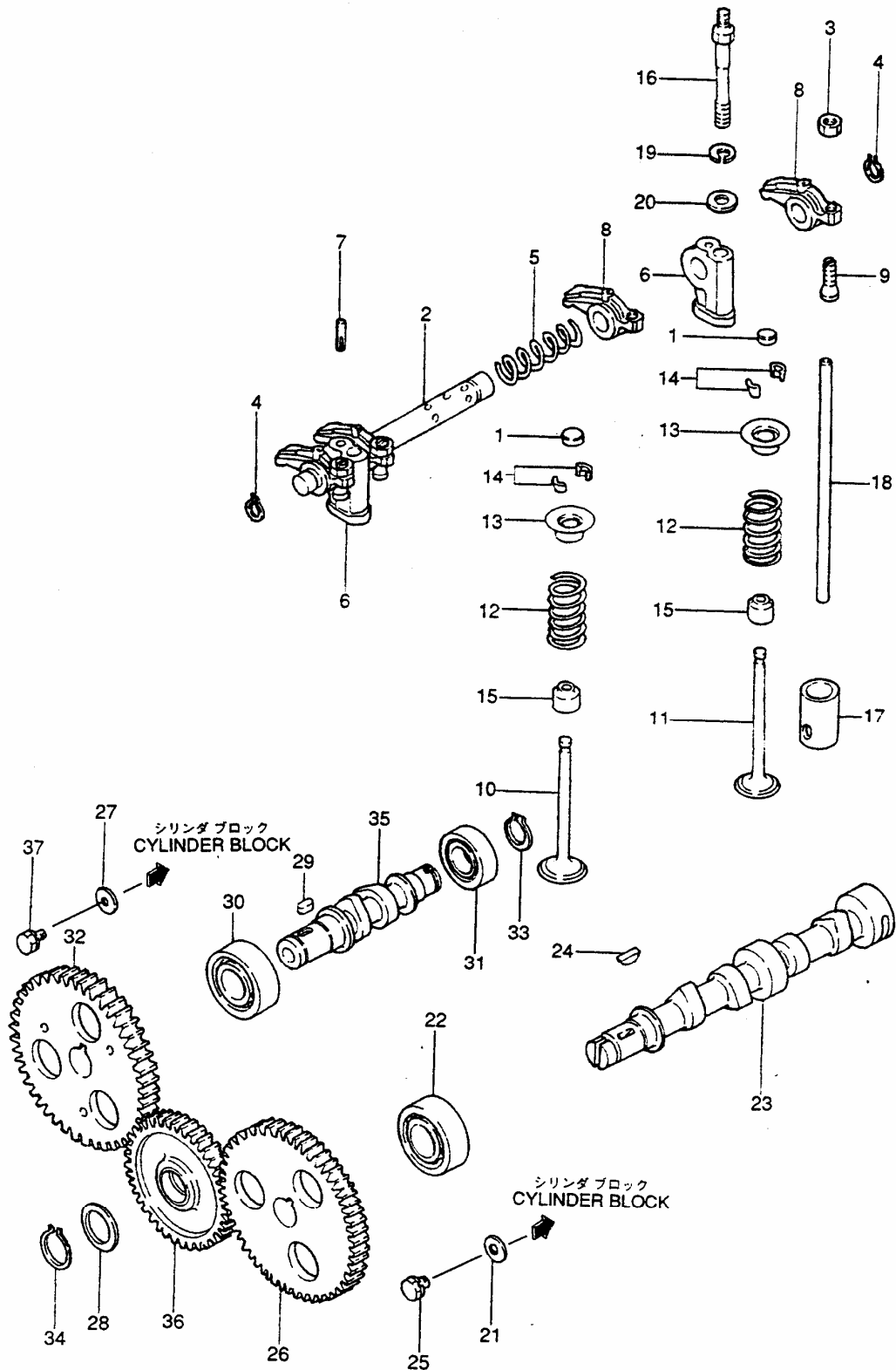
| 見出 番号 REF. LNC. | 部品番号 PART NO. | 部品名称 および 記事・仕様記号 PART NAME & DESCRIPTION | 形式 個数 | MODEL&QTY | | 適用号機 APPLICABLE SERIAL NO. | | 更新 履歴 PR RD |
|--------------------------|------------------|---|----------|-----------|--|----------------------------------|--|----------------------|
| | | | 61CV | | | FROM@- -@UPTO | | |
| 1 | MM432239 | HANGER,ENGINE | 2 | | | | | |
| 2 | MM432461 | GASKET,CYLINDER HEAD | 1 | | | | | A |
| 3 | MM432-12501 | BOLT,CYLINDER HEAD | 6 | | | | | |
| 4 | MDO20566 | BOLT,FLANGE | 2 | | | | | |
| 5 | MF240051 | BOLT,W/WASHER B/W | 2 | | | | | A |
| 6 | MS661140 | PLUG,TAPER | 1 | | | | | A |
| 7 | 30L01-00090 | HEAD ASSY,CYLINDER | 1 | | | | | |
| 701 | MDO00427 | CAP,SEALING | 1 | | | | | |
| 702 | MF665536 | CAP,SEALING | 2 | | | | | |
| 703 | MM318306 | GUIDE,VALVE | 4 | | | | | |
| 707 | * | CYLINDER HEAD | 1 | | | | | |
| 8 | 30L04-00020 | COVER ASSY,ROCKER | 1 | | | | | |
| 801 | K9644171 | PIPE | 1 | | | | | |
| 802 | MM433385 | GASKET,ROCKER COVER | 1 | | | | | A |
| 803 | MM433854 | COVER,ROCKER | 1 | | | | | |
| 9 | F2460-06000 | NUT,CAP | 2 | | | | | |
| 10 | MF450004 | WASHER,PLAIN | 2 | | | | | A |
| 11 | MM300540 | CAP ASSY,OIL FILLER | 1 | | | | | |
| 1101 | MF520402 | O-RING | 1 | | | | | A |
| 1102 | * | CAP,OIL FILLER | 1 | | | | | |
| 12 | MM433709 | HOSE,BREATHER | 1 | | | | | |



615CA0-00

01085-014

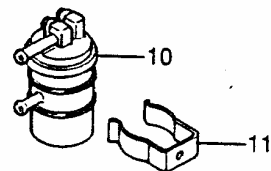
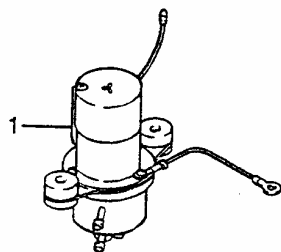
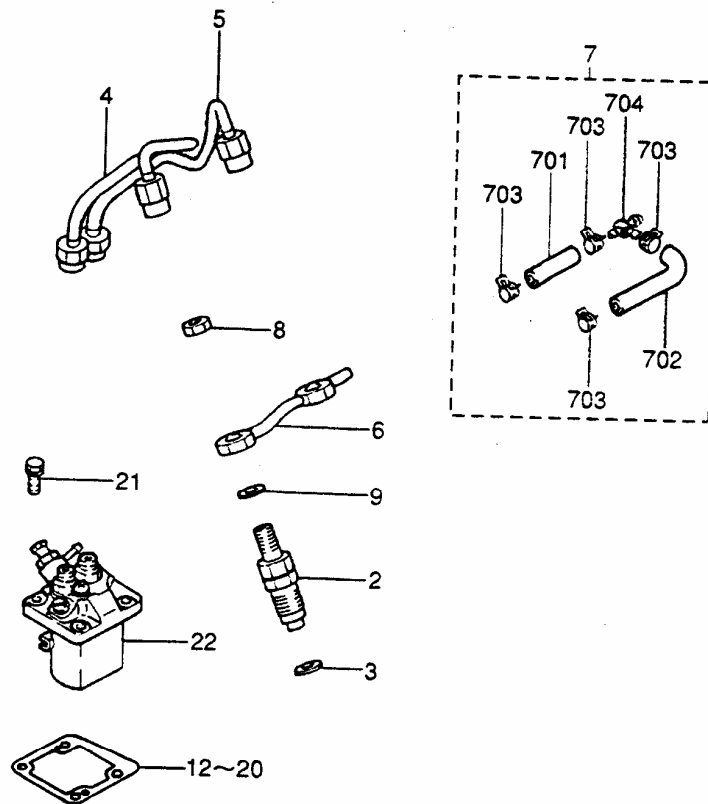
| 見出 番号 P.N.C. | 部品番号 PART NO. | 部品名称 および 記事・仕様記号 PART NAME & DESCRIPTION | 形式 個数 MODEL&QTY | | | 適用号機 APPLICABLE SERIAL NO. | | 新 規 取 扱 品 A |
|--------------------|------------------|---|--------------------|--|--|-------------------------------|--|----------------------------|
| | | | 61CV | | | FROM@ - @UPTO | | |
| | | | | | | | | |
| 1 | 30L17-01070 | PISTON & PIN SET STD | 2 | | | | | A |
| 2 | 30L17-01080 | PISTON & PIN SET O.S 0.25 | 2 | | | | | A |
| 3 | 30L17-01090 | PISTON & PIN SET O.S 0.50 | 2 | | | | | A |
| 4 | MM433712 | RING SET,PISTON STD | 2 | | | | | A |
| 5 | MM434342 | RING SET,PISTON O.S 0.25 | 2 | | | | | A |
| 6 | MM434343 | RING SET,PISTON O.S 0.50 | 2 | | | | | A |
| 7 | 30L19-00051 | ROD ASSY,CONNECTING | 2 | | | | | A |
| 701 | MD000704 | NUT,CONNECTING ROD | 4 | | | | | A |
| 702 | MD000705 | BOLT,CONNECTING ROD | 4 | | | | | A |
| 703 | * | CAP,CONNECTING ROD | 2 | | | | | A |
| 704 | * | CONNECTING ROD | 2 | | | | | A |
| 8 | MM438-80601 | METAL SET,CON-ROD STD | 2 | | | | | A |
| 9 | MM438-80701 | METAL SET,CON-ROD U.S 0.25 | 2 | | | | | A |
| 10 | MM438-80801 | METAL SET,CON-ROD U.S 0.50 | 2 | | | | | A |
| 11 | MM432-85901 | CRANKSHAFT | 1 | | | | | A |
| 12 | 30L20-00900 | PULLEY,CRANKSHAFT | 1 | | | | | A |
| 13 | 30L20-00600 | GEAR,CRANKSHAFT Z=33 | 1 | | | | | A |
| 14 | MF430845 | NUT,JAM | 1 | | | | | A |
| 15 | MF450009 | WASHER,PLAIN | 1 | | | | | A |
| 15 | MF450409 | WASHER,SPRING | 1 | | | | | A |
| 17 | MF476214 | KEY,WOODRUFF | 2 | | | | | A |
| 18 | MM433524 | FLYWHEEL ASSY | 1 | | | | | A |
| 1801 | MDC30629 | GEAR,RING | 1 | | | | | A |
| 1302 | MM433525 | FLYWHEEL | 1 | | | | | A |
| 19 | MD075878 | BOLT,FLYWHEEL | 4 | | | | | A |



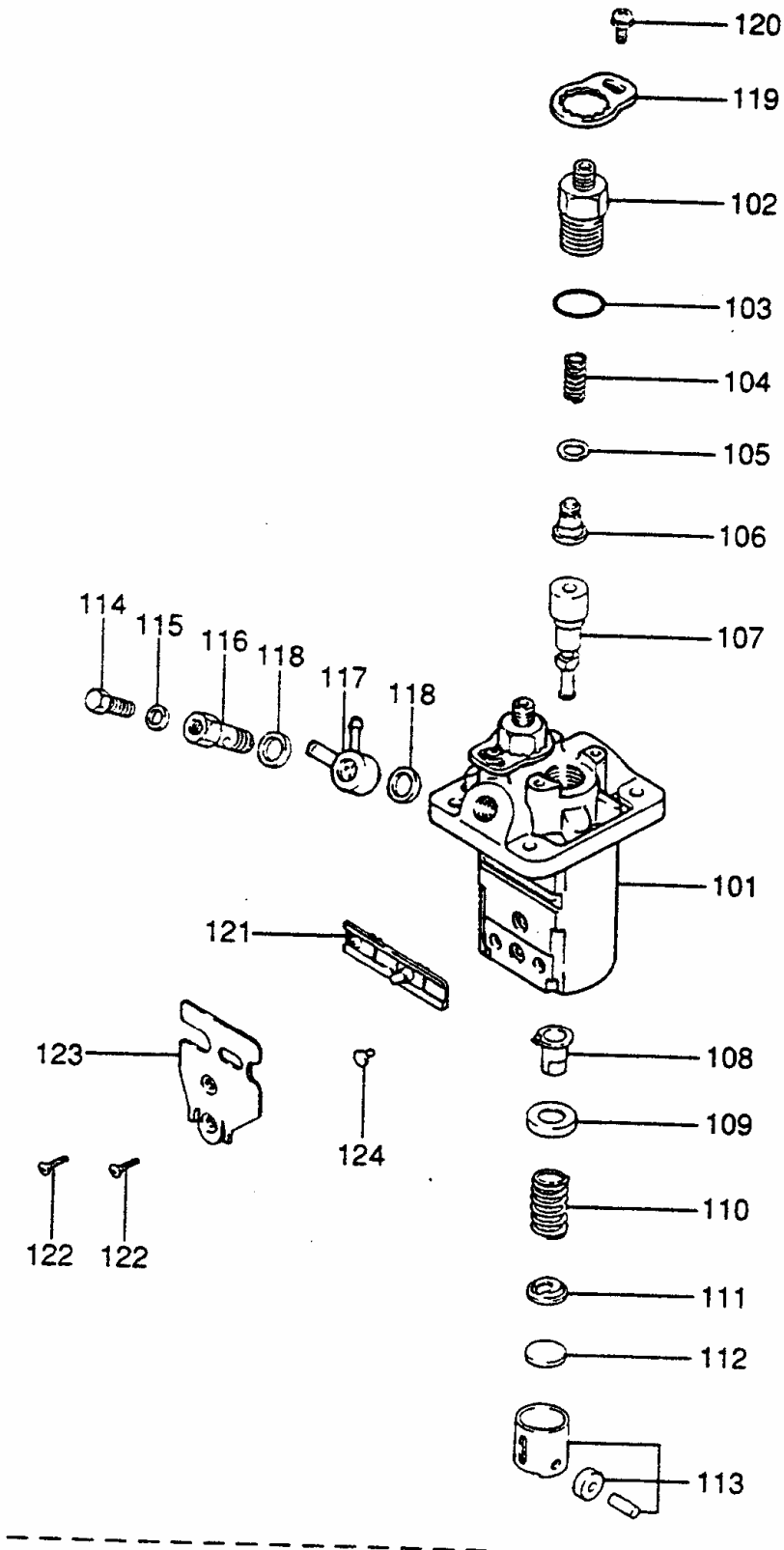
615CA0-00

01055-012

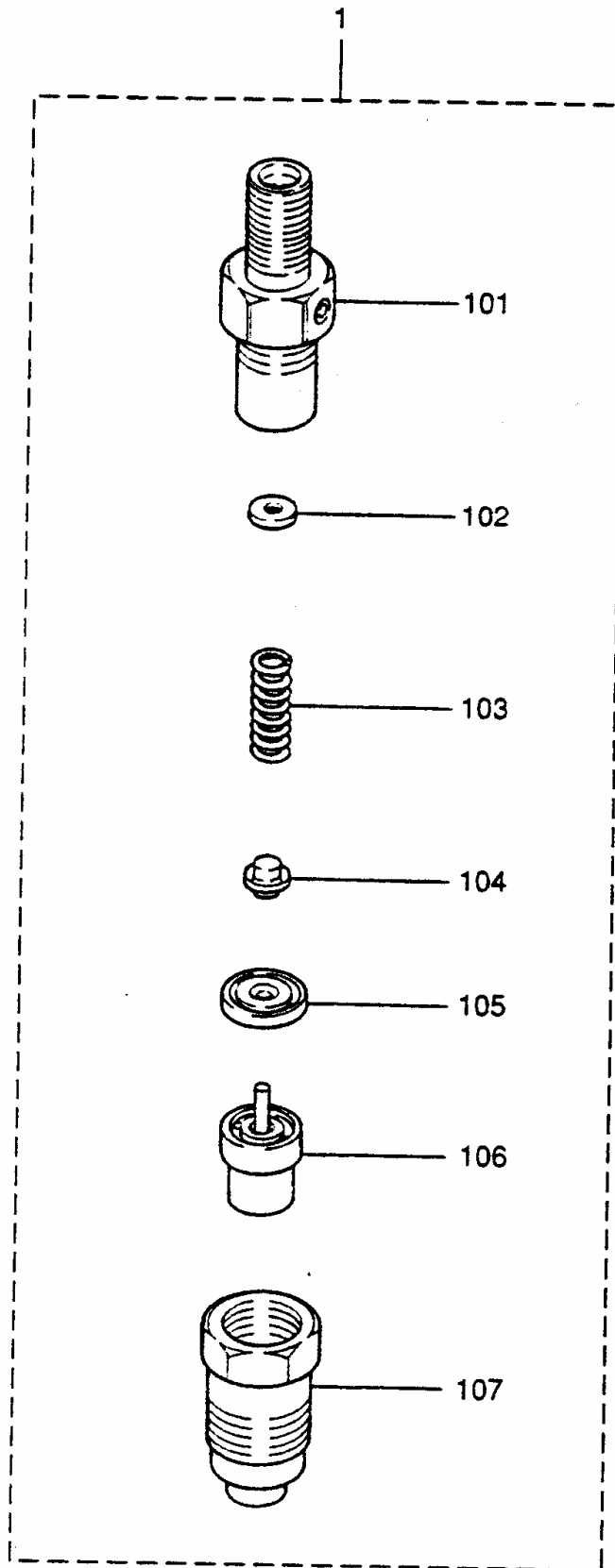
| 見出 番号 ISS | 部品番号 PART NO. | 部品名称 および PART NAME & | 記事・仕様記号 DESCRIPTION | 形式 MODEL&QTY | | 適用号機 APPLICABLE SERIAL NO. | | 新 規 取 扱 品 目 別 記 号 M V R D |
|-----------------|------------------|-------------------------|------------------------|-----------------|--|----------------------------------|--------|---|
| | | | | 61CV | | FROM@- | -@UPTO | |
| 1 | 31A04-00700 | CAP, VALVE STEM | | 4 | | | | |
| 2 | MM432351 | SHAFT ASSY, ROCKER | | 1 | | | | |
| 3 | MF430724 | NUT, JAM | | 4 | | | | A |
| 4 | MF522003 | RING, SNAP | | 2 | | | | A |
| 5 | MM318768 | SPRING, ROCKER SHAFT | | 1 | | | | A |
| 6 | MM318772 | STAY, ROCKER | | 2 | | | | |
| 7 | MM432145 | PIN, GROOVED | | 1 | | | | |
| 8 | MM433308 | ARM, ROCKER | | 4 | | | | |
| 9 | MM433312 | SCREW, ADJUSTING | | 4 | | | | A |
| 10 | MM432143 | VALVE, INTAKE | | 2 | | | | |
| 11 | MM432144 | VALVE, EXHAUST | | 2 | | | | |
| 12 | MM432668 | SPRING, VALVE | | 4 | | | | |
| 13 | MM433306 | RETAINER, VALVE STEM | | 4 | | | | |
| 14 | MD016483 | LOCK, VALVE SPRING | | 8 | | | | |
| 15 | MD115472 | SEAL, VALVE STEM | | 4 | | | | A |
| 16 | MM433848 | BOLT, ROCKER STAY | | 2 | | | | A |
| 17 | MM434222 | TAPPET | | 4 | | | | |
| 18 | MM433307 | ROD, PUSH | | 4 | | | | |
| 19 | MF450405 | WASHER, SPRING | | 2 | | | | A |
| 20 | MS450035 | WASHER, PLAIN | | 2 | | | | A |
| 21 | MM432306 | WASHER, CAMSHAFT STOP | | 1 | | | | A |
| 22 | MM432105 | BEARING, BALL | | 1 | | | | A |
| 23 | MM432-35301 | CAMSHAFT | | 1 | | | | A |
| 24 | MF476214 | KEY, WOODRUFF | | 1 | | | | |
| 25 | MF241223 | BOLT, W/WASHER | B/W | 1 | | | | A |
| 26 | 30L05-00100 | GEAR, CAMSHAFT | Z=66 | 1 | | | | |
| 27 | MM432306 | WASHER, CAMSHAFT STOP | | 1 | | | | A |
| 28 | 30L65-01200 | PLATE, DISTANCE | | 1 | | | | |
| 29 | MF476018 | KEY, SUNK | | 1 | | | | |
| 30 | MM432105 | BEARING, BALL | | 1 | | | | A |
| 31 | MM432106 | BEARING, BALL | | 1 | | | | A |
| 32 | 30L65-01300 | GEAR, PUMP CAMSHAFT | Z=66 | 1 | | | | |
| 33 | MF522007 | RING, SNAP | | 1 | | | | A |
| 34 | MF522017 | RING, SNAP | | 1 | | | | A |
| 35 | MM435143 | SHAFT, FUEL INJ PUMP | | 1 | | | | |
| 36 | 30L65-00010 | GEAR ASSY, IDLER | Z=50 | 1 | | | | |
| 37 | MF241223 | BOLT, W/WASHER | B/W | 1 | | | | A |



| 見出 番号 REF. LNO. | 部品番号 PART NO. | 部品名称 および 記事・仕様記号 PART NAME & DESCRIPTION | 形式 個数 | MODEL&QTY | | 適用号機 APPLICABLE SERIAL NO. | | 適用 機 型 記 号 RIB |
|--------------------------|------------------|---|----------|-----------|--|----------------------------------|--|-------------------------------|
| | | | 61CV | | | FROM@- @UPTO | | |
| 1 | 30A60-00200 | PUMP ASSY, FUEL | 1 | | | | | |
| 2 | MM435-94101 | NOZZLE & HOLDER ASSY | 2 | | | | | |
| 3 | MD070717 | GASKET, HOLDER | 2 | | | | | A |
| 4 | MM432116 | PIPE ASSY, INJ NO.1 | 1 | | | | | |
| 5 | MM432117 | PIPE ASSY, INJ NO.2 | 1 | | | | | |
| 6 | MM432394 | PIPE, FUEL RETURN | 1 | | | | | |
| 7 | 30L61-03300 | PIPE ASSY, FUEL | 1 | | | | | |
| 701 | MM406971 | HOSE, FUEL | 1 | | | | | |
| 702 | MS604026 | HOSE, FUEL | 1 | | | | | |
| 703 | MS660169 | CLIP, HOSE | 4 | | | | | A |
| 704 | 31A61-01500 | JOINT, THREE WAY | 1 | | | | | |
| 8 | MD068353 | NUT | 2 | | | | | A |
| 9 | MD068355 | GASKET, FUEL RETURN | 2 | | | | | A |
| 10 | MM435190 | FILTER ASSY, FUEL | 1 | | | | | A |
| 11 | MM400880 | CLAMP, FILTER | 1 | | | | | |
| 12 | MM432401 | SHIM, ADJUSTING | AR | | | | | A |
| 13 | MM433376 | SHIM, ADJUSTING | AR | | | | | A |
| 14 | MM433377 | SHIM, ADJUSTING | AR | | | | | A |
| 15 | MM433378 | SHIM, ADJUSTING | AR | | | | | A |
| 16 | MM433379 | SHIM, ADJUSTING | AR | | | | | A |
| 17 | MM433380 | SHIM, ADJUSTING | AR | | | | | A |
| 18 | MM433381 | SHIM, ADJUSTING | AR | | | | | A |
| 19 | MM432399 | SHIM, ADJUSTING | AR | | | | | A |
| 20 | MM432400 | SHIM, ADJUSTING | AR | | | | | A |
| 21 | MF241228 | BOLT, W/WASHER | 4 | | | | | A |
| 22 | 30L65-02500 | PUMP ASSY, FUEL INJ | 1 | | | | | |



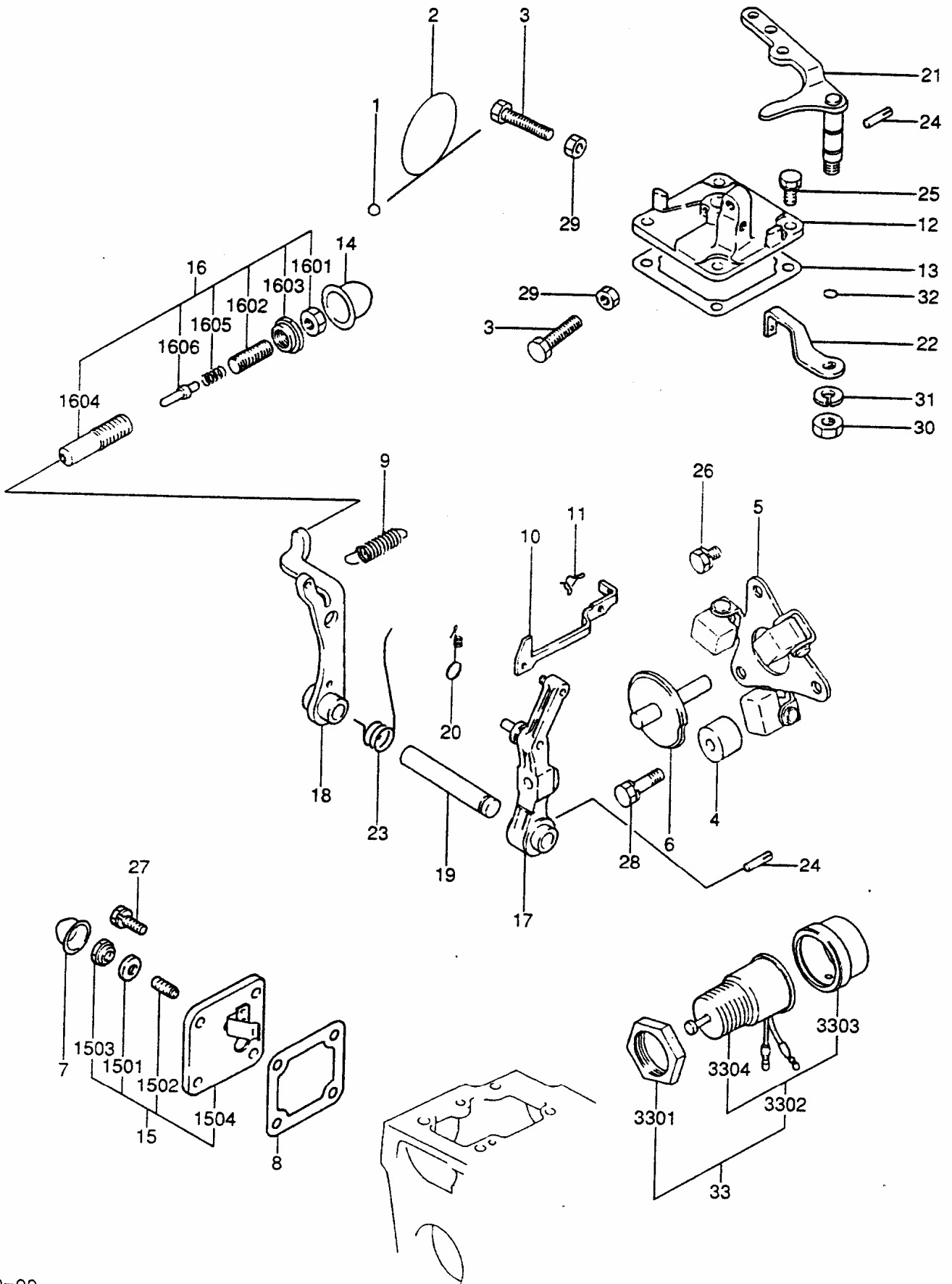
| 見出 番号 REF NO. | 部品番号 PART NO. | 部品名称 PART NAME | および & | 記事・仕様記号 DESCRIPTION | 形式 個数 | MODEL&QTY | | 適用号機 | | 適用 機種 MTR /R/D |
|------------------------|------------------|---------------------|----------|------------------------|----------|-----------|--|--------------------------|--------|-------------------------|
| | | | | | 61CV | | | APPLICABLE SERIAL NO. | | |
| | | | | | | | | FROM@- | -@UPTO | |
| 1 | 30L65-02500 | PUMP ASSY,FUEL INJ | | 094500-7430 DEN | 1 | | | | | |
| 101 | 09011-03890 | HOUSING SUB ASSY | | MM501962 | 1 | | | | | |
| 102 | 09013-10830 | HOLDER,DELIVERY | | MM501918 | 2 | | | | | |
| 103 | 90801-10130 | O-RING | | MM501937 | 2 | | | | | A |
| 104 | 09013-60530 | SPRING,DELIVERY | | MM501146 | 2 | | | | | |
| 105 | 09013-70130 | GASKET,DELIVERY | | MM501855 | 2 | | | | | |
| 106 | 09014-01900 | VALVE SUB ASSY | | MM514079 | 2 | | | | | |
| 107 | 09015-04270 | ELEMENT SUB ASSY | | MM514077 | 2 | | | | | |
| 108 | 09016-00140 | SLEEVE SUB ASSY | | MM501999 | 2 | | | | | |
| 109 | 09016-30140 | SEAT,SPRING UPPER | | MM501925 | 2 | | | | | |
| 110 | 09016-40220 | SPRING,PUMP PLUNGER | | MM501925 | 2 | | | | | A |
| 111 | 09016-50170 | SEAT,SPRING LOWER | | MM501927 | 2 | | | | | |
| 112 | * | PLATE,TAPPET SHIM | | * | AR | | | | | |
| 113 | 09017-00220 | TAPPET SUB ASSY | | MM501928 | 2 | | | | | |
| 114 | 09024-40010 | SCREW,AIR BLEEDER | | MM501930 | 1 | | | | | |
| 115 | 09024-80010 | WASHER,DRAIN SCREW | | MM500704 | 1 | | | | | |
| 116 | 09024-50310 | SCREW,HOLLOW | | MM501931 | 1 | | | | | |
| 117 | 09221-70590 | NIPPLE,SWIVEL | | MM514125 | 1 | | | | | |
| 118 | 09025-10010 | WASHER,DRAIN UNICN | | MM500706 | 2 | | | | | |
| 119 | 09023-00070 | PLATE SET,LOCK | | MM501933 | 2 | | | | | |
| 120 | 94900-75390 | SCREW,W/WASHER | | MM514190 | 2 | | | | | |
| 121 | 09021-00600 | RACK ASSY,CONTROL | | MM501963 | 1 | | | | | |
| 122 | 94900-20500 | SCREW,COUNTERSUNK | | MM501935 | 2 | | | | | |
| 123 | 09069-11270 | BRACKET,STOP WIRE | | MM501964 | 1 | | | | | |
| 124 | 09018-30090 | PIN,TAPPET GUIDE | | MM501932 | 2 | | | | | A |



| 見出 番号 REF. LNO. | 部品番号 PART NO. | 部品名称 および 記事・仕様記号 PART NAME & DESCRIPTION | 形式 個数 | MODEL&QTY | | 適用号機 APPLICABLE SERIAL NO. | |
|--------------------------|------------------|---|----------|-----------|--|-------------------------------|--|
| | | | 61CV | | | FROM@- -@UPTO | |
| 1 | MM435-94101 | NOZZLE & HOLDER ASSY 093500-3840 DEN | 2 | | | | |
| 101 | 09311-03840 | BODY SUB ASSY MM514048 | 2 | | | | |
| 102 | 09317-51810 | WASHER T=1.25 MD603490 | AR | | | | |
| | 09317-51830 | WASHER T=1.30 MD603491 | AR | | | | |
| | 09317-51850 | WASHER T=1.35 MD603492 | AR | | | | |
| | 09317-51870 | WASHER T=1.40 MD603493 | AR | | | | |
| | 09317-51890 | WASHER T=1.45 MD603494 | AR | | | | |
| | 09317-51910 | WASHER T=1.50 MD603495 | AR | | | | |
| | 09317-51930 | WASHER T=1.55 MD603496 | AR | | | | |
| | 09317-51950 | WASHER T=1.60 MD603497 | AR | | | | |
| | 09317-51970 | WASHER T=1.65 MD603498 | AR | | | | |
| | 09317-51990 | WASHER T=1.70 MD603499 | AR | | | | |
| 103 | 09312-70310 | SPRING,PRESSURE MM514047 | 2 | | | | |
| 104 | 09312-10380 | PIN,PRESSURE MM501838 | 2 | | | | |
| 105 | 09317-40070 | PIECE,DISTANCE MM501841 | 2 | | | | |
| 106 | 09340-05060 | NOZZLE ASSY MD603660 | 2 | | | | |
| 107 | 09316-41351 | NUT,NOZZLE RETAINING MM514380 | 2 | | | | |

99-03-16

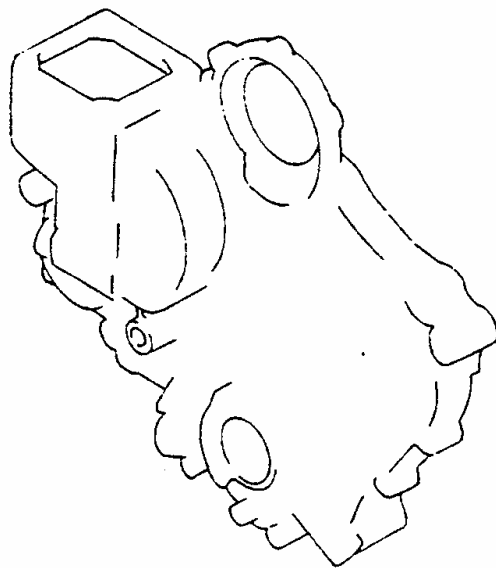
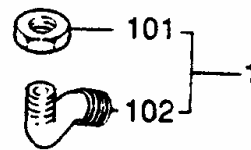
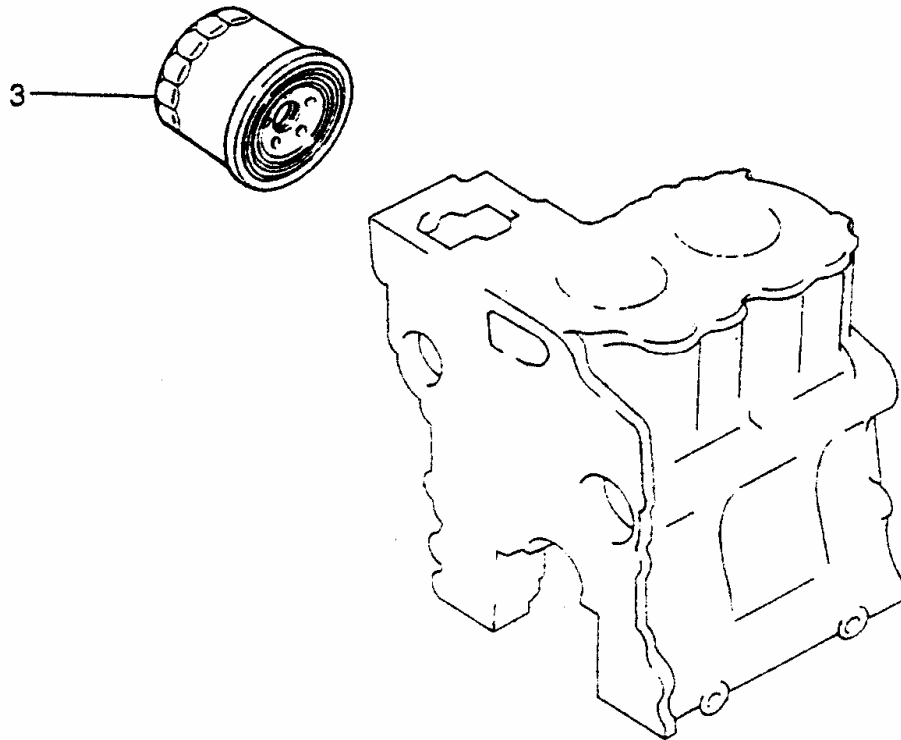
615CA0-00



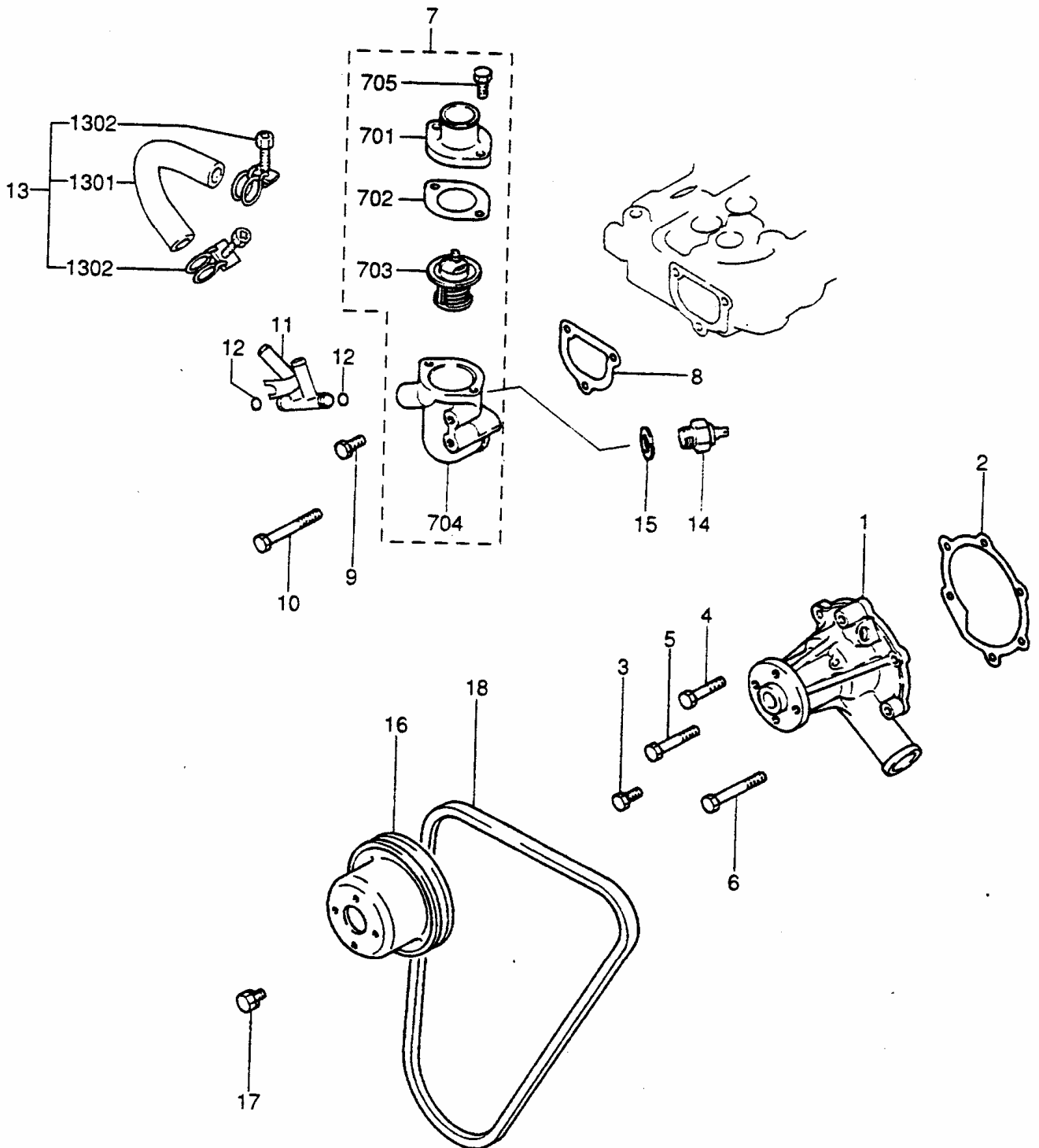
| 見出 番号 REF. NO. | 部品番号 PART NO. | 部品名称 および 記事・仕様記号 PART NAME & DESCRIPTION | 形式 個数 | MODEL&QTY | | 適用号機 APPLICABLE SERIAL NO. | | 新 規 M V R I D |
|-------------------------|------------------|---|----------|-----------|--|----------------------------------|--|---------------------------------|
| | | | 61CV | | | FROM@ - @UPTO | | |
| 1 | MK992-00001 | METAL | 1 | | | | | |
| 2 | MK993-00140 | WIRE | 1 | | | | | |
| 3 | MM401080 | BOLT,HIGH SPEED SET | 2 | | | | | A |
| 4 | MM403988 | STOPPER | 1 | | | | | |
| 5 | 30L63-00050 | WEIGHT ASSY,GOVERNOR | 1 | | | | | |
| 6 | MM409138 | SHAFT ASSY,SLIDING | 1 | | | | | |
| 7 | MM409169 | CAP,SEALING | 1 | | | | | |
| 8 | MM432-58201 | GASKET,TIE-ROD COVER | 1 | | | | | |
| 9 | MM433673 | SPRING,GOVERNOR | 1 | | | | | A |
| 10 | MM433220 | ROD,TIE | 1 | | | | | |
| 11 | MM433221 | CLIP,TIE-ROD | 1 | | | | | A |
| 12 | 30L63-01500 | COVER,GOVERNOR | 1 | | | | | |
| 13 | MM433-23001 | GASKET,GOV COVER | 1 | | | | | |
| 14 | MM433614 | CAP,TORQUE SET | 1 | | | | | |
| 15 | MM432170 | COVER ASSY,TIE-ROD | 1 | | | | | |
| 1501 | MF660031 | GASKET | 1 | | | | | A |
| 1502 | MM409167 | SCREW,ADJUSTING | 1 | | | | | A |
| 1503 | MM409168 | NUT,SPECIAL | 1 | | | | | A |
| 1504 | MM432171 | COVER,TIE-ROD | 1 | | | | | A |
| 16 | MM435896 | SPRING SET,TORQUE | 1 | | | | | A |
| 1601 | MD000961 | NUT | 1 | | | | | A |
| 1602 | MD019845 | SCREW,ADJUSTING ROCK | 1 | | | | | A |
| 1603 | MM433233 | NUT,SPECIAL | 1 | | | | | A |
| 1604 | MM434542 | CASE,TORQUE SPRING | 1 | | | | | A |
| 1605 | MM435203 | SPRING,TORQUE | 1 | | | | | A |
| 1606 | MM435785 | STOPPER,SPRING | 1 | | | | | |
| 17 | MM434830 | LEVER ASSY,GOVERNOR | 1 | | | | | |
| 18 | MM434832 | LEVER ASSY,TENSION | 1 | | | | | |
| 19 | MM434872 | SHAFT,GOVERNOR | 1 | | | | | |
| 20 | MM435-19801 | SPRING,TIE-ROD | 1 | | | | | A |
| 21 | MM435889 | LEVER ASSY,SPEED | 1 | | | | | |
| 22 | MM437431 | LEVER,GOVERNOR | 1 | | | | | |
| 23 | MM437660 | SPRING,START | 1 | | | | | A |
| 24 | MM409239 | PIN,GROOVED | 2 | | | | | |
| 25 | MF101225 | BOLT | 4 | | | | | A |
| 26 | MF241222 | BOLT,W/WASHER | 2 | B/W | | | | A |
| 27 | MF241224 | BOLT,W/WASHER | 4 | B/W | | | | A |
| 28 | MF241229 | BOLT,W/WASHER | 1 | B/W | | | | A |
| 29 | MF430004 | NUT | 2 | | | | | A |
| 30 | MF430725 | NUT,JAM | 1 | | | | | A |
| 31 | MF450405 | WASHER,SPRING | 1 | | | | | A |
| 32 | MF520002 | O-RING | 1 | | | | | A |
| 33 | 30L87-00060 | SOLENOID & NUT SET | 1 | | | | | |
| 3301 | MM409671 | NUT | 1 | | | | | A |
| 3302 | MM432-30501 | SOLENOID,TUBULAR | 1 | | | | | |
| 3303 | MM317-09301 | CAP,GUM | 1 | | | | | |
| 3304 | * | SOLENOID | 1 | | | | | |

99-03-16

615CA0-00



| 見出 番号 REF. LNO. | 部品番号 PART NO. | 代 理 店 名 P / Q E N S C H E R E | 部品名称 および 記事・仕様記号 PART NAME & DESCRIPTION | 形式 | MODEL&QTY | | 適用号機 | | 新 規 取 引 用 意 図 有 無 M / R I D |
|--------------------------|------------------|---|---|--------|-----------|--------------------------|--------|--|--|
| | | | | 個 数 | 61CV | APPLICABLE SERIAL NO. | | | |
| | | | | | | FROM@- | -@UPT@ | | |
| 1 | MM434431 | | STRAINER ASSY,OIL | 1 | | | | | |
| 101 | MF430728 | | NUT,JAM | 1 | | | | | A |
| 102 | * | | STRAINER,OIL | 1 | | | | | |
| 2 | 31A90-00100 | | SWITCH,OIL PRESSURE | 1 | | | | | |
| 3 | MD134953 | | FILTER ASSY,OIL | 1 | | | | | A |
| | | | | | | | | | |
| | | | | | | | | | |
| | | | | | | | | | |
| | | | | | | | | | |
| | | | | | | | | | |
| | | | | | | | | | |
| | | | | | | | | | |
| | | | | | | | | | |
| | | | | | | | | | |
| | | | | | | | | | |
| | | | | | | | | | |
| | | | | | | | | | |
| | | | | | | | | | |
| | | | | | | | | | |
| | | | | | | | | | |
| | | | | | | | | | |
| | | | | | | | | | |
| | | | | | | | | | |



| 見出 番号 REF. NO. | 部品番号 PART NO. | 部品名称 および 記事・仕様記号 PART NAME & DESCRIPTION | 形式 個数 | MODEL&QTY | | 適用号機 | | 適用 機種 M/R RD |
|-------------------------|------------------|---|----------|-----------|--|-------|--------|-----------------------|
| | | | 61CV | | | FROM- | -@UPTO | |
| 1 | MM433-17001 | PUMP ASSY, WATER | 1 | | | | | |
| 2 | MM432-13601 | GASKET, WATER PUMP | 1 | | | | | |
| 3 | MF101228 | BOLT | 2 | | | | | A |
| 4 | MF101235 | BOLT | 1 | | | | | A |
| 5 | MF101238 | BOLT | 1 | | | | | A |
| 6 | MF101240 | BOLT | 2 | | | | | A |
| 7 | 30L46-03011 | THERMOSTAT ASSY | 1 | | | | | |
| 701 | MM432-08201 | COVER, THERMOSTAT | 1 | | | | | |
| 702 | MM432135 | GASKET, WATER OUTLET | 1 | | | | | A |
| 703 | MM433-54801 | THERMOSTAT (76.5) | 1 | | | | | |
| 704 | MM434-26201 | CASE, THERMOSTAT | 1 | | | | | |
| 705 | 30L46-03501 | BOLT | 2 | | | | | A |
| 8 | MM433-17201 | GASKET, THERMO CASE | 1 | | | | | |
| 9 | MF101228 | BOLT | 2 | | | | | A |
| 10 | MF101241 | BOLT | 1 | | | | | A |
| 11 | 30L46-01200 | PIPE ASSY, BYPASS | 1 | | | | | |
| 12 | MF520004 | C-RING | 2 | | | | | A |
| 13 | 30L46-02500 | HOSE ASSY, WATER | 1 | | | | | |
| L301 | * | HOSE, RUBBER | 1 | | | | | |
| L302 | F4300-01800 | CLAMP, HOSE | 2 | | | | | |
| 14 | MM432104 | SWITCH ASSY, THERMO | 1 | | | | | |
| 15 | 30636-25901 | GASKET | 1 | | | | | A |
| 16 | K9674051 | PULLEY, WATER PUMP | 1 | | | | | |
| 17 | MF241223 | BOLT, W/WASHER | 4 | | | | | A |
| 18 | MDC17016 | V-BELT | 1 | | | | | A |

